

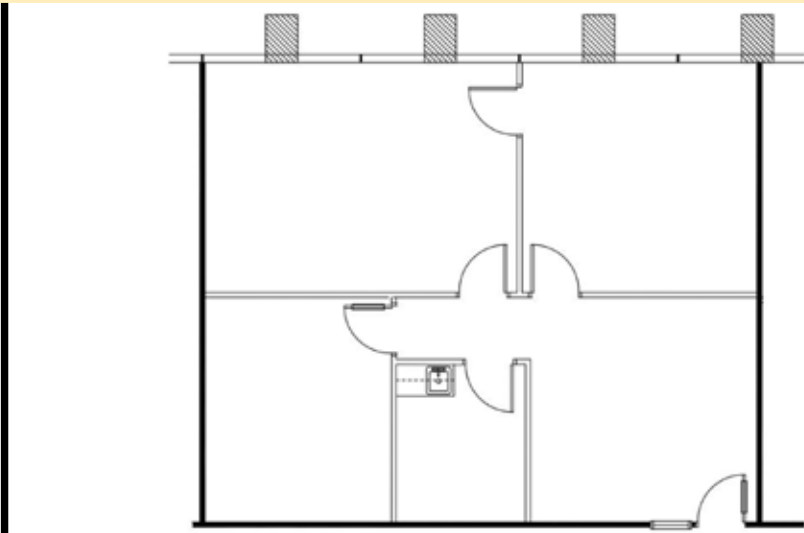
# Regency Square Tower - Suite 625

6200 Savoy, Houston, TX 77036

[www.oakleafmgmt.com](http://www.oakleafmgmt.com)

## Suite 625 Amenities:

- 1,213 SF NRA
- Great location with access to Highway 59 & 610 Loop
- Property is surrounded by multiple office, retail, hotel and dining establishments
- Space is in excellent condition
- Large conference room
- Nice breakroom area
- Great downtown/fountain view
- Nine foot high ceilings
- Efficient air conditioning with computerized climate controls
- Abundant covered parking
- High speed elevators
- Second floor deli
- Custom TI available



 **Oak Leaf Management**  
real estate management, leasing & brokerage

Contact: R Thomas Asch • 713-541-9724 main • [tasch@oakleafmgmt.com](mailto:tasch@oakleafmgmt.com)